
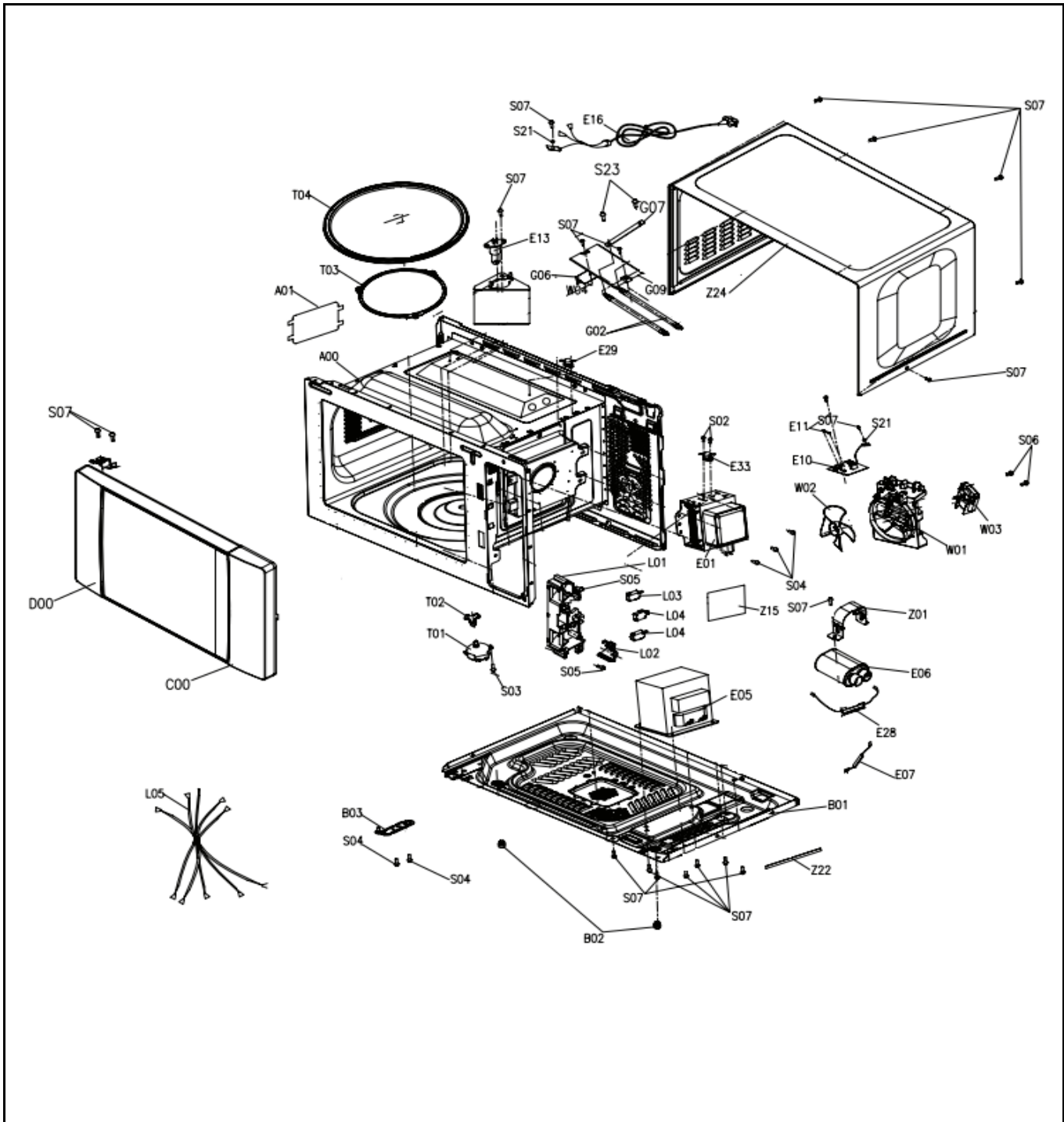



Drawing

 HENDI FOOD SERVICE EQUIPMENT Hendi B.V. Steenoven 21 3911 TX Rhenen The Netherlands	Batch #	Appliance part#
	HK1710599 and up	281710
	Description	
	Microwave with grill	

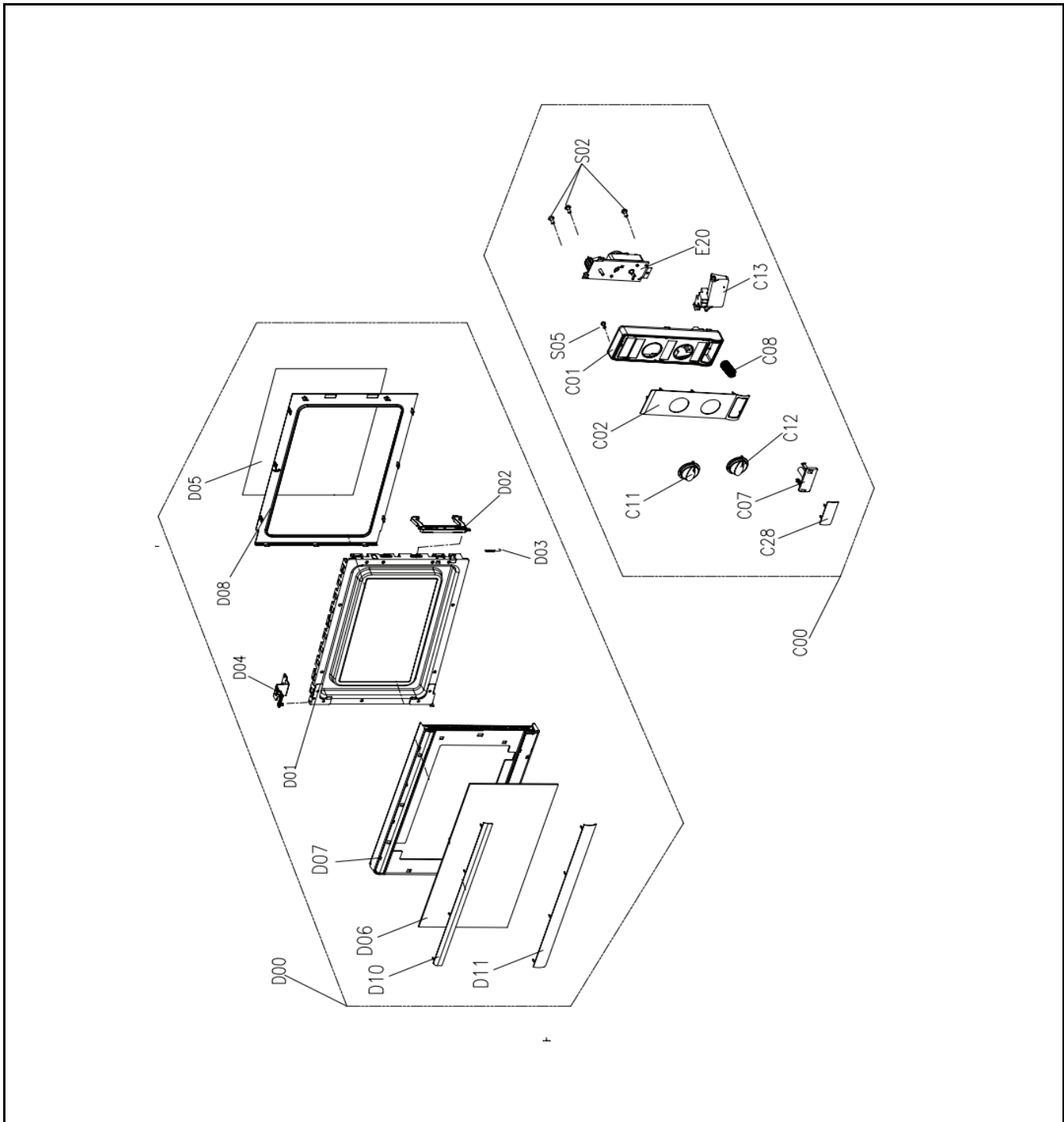
Date	12-03-2018	Revision #	Revision version
Revision	First bill of Materials (BOM)		




Drawing

 <p>Hendi B.V. Steenoven 21 3911 TX Rhenen The Netherlands</p>	Batch #	Appliance part#
	HK1710599 and up	281710
	Description	
	Microwave with grill	

Date	12-03-2018	Revision #	Revision version
Revision	First bill of Materials (BOM)		



Bill of materials (BOM)

 HENDI FOOD SERVICE EQUIPMENT Hendi B.V. Steenoven 21 3911 TX Rhenen The Netherlands	Batch #	Appliance part#
	=Drawing!C3	281710
	Description	
	Microwave with grill	

Date	12-03-2018	Revision #	Revision version
Revision	First bill of Materials (BOM)		


Item	Description	Part#	Quantity	Remark	Picture
C00	Control Panel Assembly	943922	1		
C01	Control Panel Housing	nss	1		
C02	Control Panel Housing Cover	nss	1		
C07	Button	nss	1		
C08	Spring	nss	2		
C11+C12	Timer / setting knob set	nss	2		
C13	Lever	nss	1		
C28	Decal button	nss	1		
E20	Timer	nss	1		
D00	Complete Door Assembly	943939	1	Incl. Items D01~D14	
D01	Door Frame	nss	1		
D02	Door Latch	nss	1		
D03	Door Latch Spring	nss	1		
D04	Upper Hinge	nss	1		
D05	Door Film	nss	1		
D06	Door Screen	nss	1		
D07	Door Panel	nss	1		
D08	Door Gasket	nss	1		
D10	Door Panel Cover	nss	1		
D11	Decal	nss	1		
A00	Housing	n/a	1		
A01	Splash cover	n/a	1		
B01	Bottom Plate	n/a	1		
B02	Foot	943946	4		
B03	Lower Hinge	n/a	1		
E01	Beamer	943953	1		
E05	High Voltage Transformer	943960	1		
E06	High Voltage Capacitor	943977	1		
E07	High Voltage Diode	943984	1		
E10	EMC Filter	943991	1		
E11	Main Fuse (8 Amp)	n/a	1	Obtain Locally	
E13	Lamp 25W	943861	1	25w	
E16	Powercord	943878	1		
E28	High voltage fuse	944004	1		
E29	Clixon 70°C	944011	1		
E33	Clixon 160°C	943892	1		
G02	Quartz tube heater	944028	2		
G06	Bracket	n/a	1		
G07	Connector	n/a	1		
G09	Insulator	n/a	1		
L00	Door switch complete assembly	944035	1	Incl item L01;L02;L03 and 2x L04	
L01	Latch Board for 281710 (dwg.L01)	nss	1		
L02	Interlock Lever for 281710 (dwg.L02)	nss	1		
L03	Microswitch Interlock for 281710 (dwg.L03)	nss	1		
L04	Microswitch Monitor for 281710 (dwg.L04)	nss	2		
L05	Wire Harness	n/a	1		
T01	Synchronous Motor	944042	1		
T02	Coupler for 281710 (dwg.T02)	944059	1		
T03	Roller ring	944066	1		
T04	Glass Turntable	944073	1	Φ255mm	
W01	Fan Mounting Bracket	n/a	1		
W02	Fan Blade	n/a	1		
W03	Fan Motor	944080	1		
W04	Lamp cover	n/a	1		

Z01	Capacitor Holder	n/a	1		
Z15	Lamp Cover	n/a	1		
Z24	Housing cover	n/a	1		

n/a -> not available

nss -> not sold separately

Circuit diagram

 HENDI FOOD SERVICE EQUIPMENT Hendi B.V. Steenoven 21 3911 TX Rhenen The Netherlands	Batch #	Appliance part#
	HK1710599 and up	281710
	Description	
	Microwave with grill	

Date	12-03-2018	Revision #	Revision version
Revision	First bill of Materials (BOM)		

